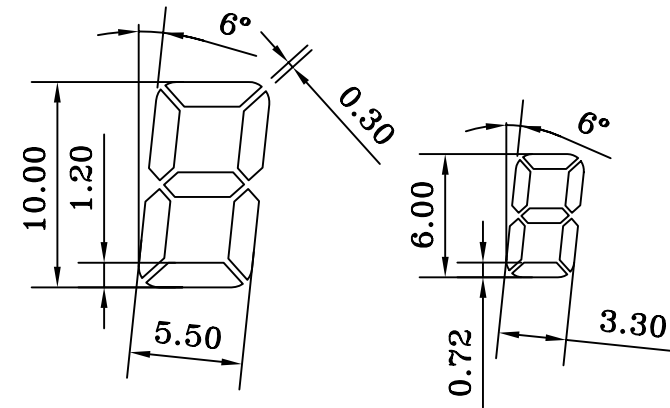
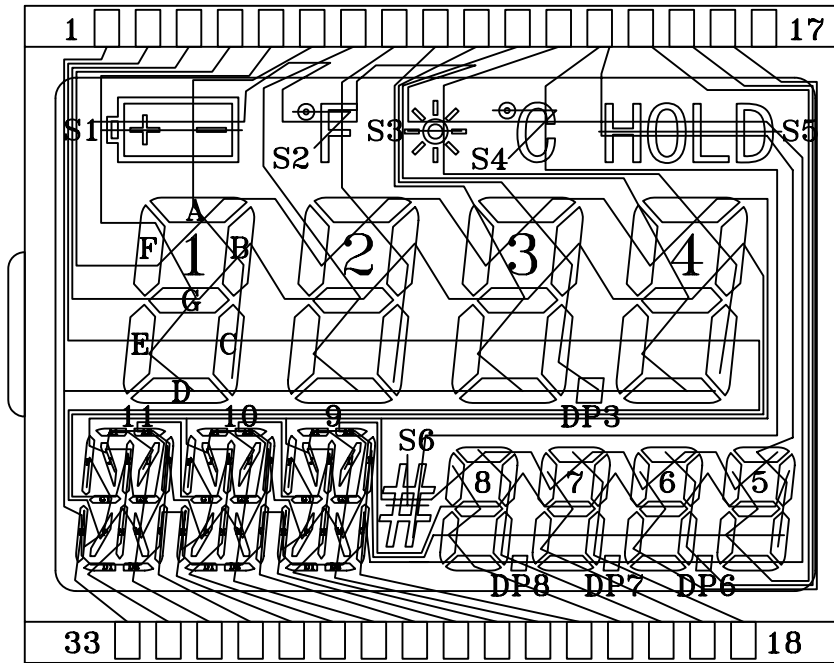


**NOTE**

- |  |                                 |
|--|---------------------------------|
| 1 TOLERANCES UNLESS OTHERWISE SPECIFIED: ±0.25 | 6 LCD DRIVING VOLTAGE(Vop):3.0V |
| 2 ALL DIMENSIONS ARE IN mm                     | 7 OPERATING TEMP: 0°C TO 50°C   |
| 3 VIEWING ANGLE: 6 O'CLOCK                     | STORAGE TEMP: 0°C TO 50°C       |
| 4 POLARIZER:TRANSFLECTIVE,POSITIVE             | 8 DISPLAY TYPE: TN              |
| 5 MULTIPLEX LEVEL: 1/4DUTY 1/3BIAS             | 9 CONNECTOR: PIN                |
|  | 10 GLASS THICKNESS:FRONT--1.1   |
|  | BACK --1.1                      |

Eff.Date	Rev.	Change Description
2011-12-14	A	new
2011-12-19	B	change display content
2011-12-20	C	change shape dimension

DESIGN MODEL		GDC1038	
REV.	C	DATE	2011.12.20
CUSTOMER MODEL		APPROVED BY	SY ZHAO
		CHECKED BY	LJ WANG
PAGE 1/2		DRAWN BY	CH YAN



PIN	1	2	3	4	5	6	7	8	9	10	11	12	13	14	15	16	17
COM1	---	---	---	COM1	1F	1A	2F	2A	3F	3A	4F	4A	S6	5A	5F	6A	6F
COM2	---	---	COM2	---	1G	1B	2G	2B	3G	3B	4G	4B	---	5B	5G	6B	6G
COM3	---	COM3	---	---	1E	1C	2E	2C	3E	3C	4E	4C	---	5C	5E	6C	6E
COM4	COM4	---	---	---	1D	S1	2D	S2	3D	DP3	4D	S3	S4	S5	5D	DP6	6D
PIN	18	19	20	21	22	23	24	25	26	27	28	29	30	31	32	33	
COM1	7A	7F	8A	8F	9A1	9L	9J	9F	10A1	10L	10J	10F	11A1	11L	11J	11F	
COM2	7B	7G	8B	8G	9A2	9G2	9K	9G1	10A2	10G2	10K	10G1	11A2	11G2	11K	11G1	
COM3	7C	7E	8C	8E	9B	9M	9N	9P	10B	10M	10N	10P	11B	11M	11N	11P	
COM4	DP7	7D	DP8	8D	9C	9D2	9D1	9E	10C	10D2	10D1	10E	11C	11D2	11D1	11E	

Eff.Data	Rev.	Change Description
2011-12-14	A	new
2011-12-19	B	change display content
2011-12-20	C	change shape dimension

DESIGN MODEL		GDC1038	
REV.	C	DATE	2011.12.20
CUSTOMER MODEL		APPROVED BY	SY ZHAO
		CHECKED BY	LJ WANG
PAGE 2/2		DRAWN BY	CH YAN